

PS76 – Rugged Cylindrical Pressure Switch

- ▶ Side Mounted DIN Connection
- ▶ Top Mounted Electrical Connection
- ▶ 15 to 1750 psi (1 to 121 bar)
- ▶ Minimal Set Point Change at Low Temperature Extremes

These versatile microswitch based pressure switches are designed for high pressure OEM applications. They offer all the performance of our proven PS75 model with the low temperature capability of Kapton®.

Specifications

Switch	SPST; SPDT
Repeatability	See Table 1
Wetted Parts	
Port Fitting	Zinc-Plated Steel (316L Stainless Steel available)
Diaphragm	Kapton® (polyimide)
O-Ring	Nitrile (other materials available)
Electrical Termination	DIN 43650A IP65; Conduit with Flying Leads IP65; Flying Leads IP65
Proof Pressure	4500 psi (310 bar) except Range 10: 500 psi (35 bar)
Burst Pressure	6000 psi (414 bar)
Approvals	CE, UL Approved units available
Weight, Approximate	Steel: 0.6 lbs. (0.27 kg)

Recommended Operating Temperature Limits

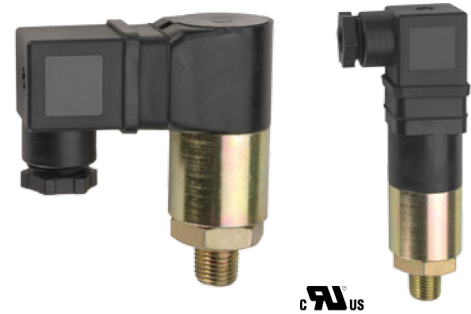
Diaphragm Material	Circuit Codes	
	-A, -B, -C	-A, -B, -C with -RD option
Teflon® Coated Kapton®	-40°F to +185°F (-40°C to +85°C)	-40°F to +250°F (-40°C to +121°C)

Electrical Switch Ratings

Circuit Code	AC	DC
-A, -B, -C ¹	5 amps @ 125/250 Volts	5 amps resistive, 3 amps inductive @ 28 Volts
-A, -B, -C ²	1 amp @ 125 Volts	1 amp resistive, 0.5 amp inductive @ 28 Volts

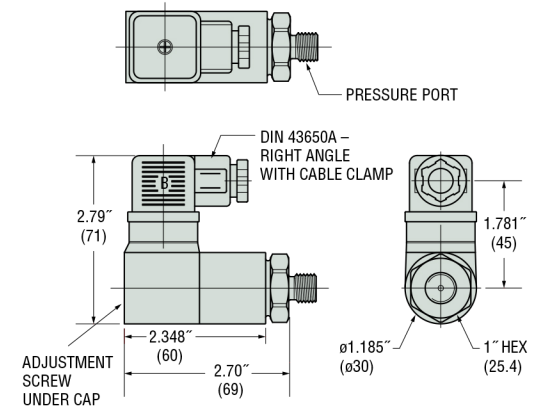
Notes:

- Without Gold Contacts Option (-G).
- With Gold Contacts Option (-G).

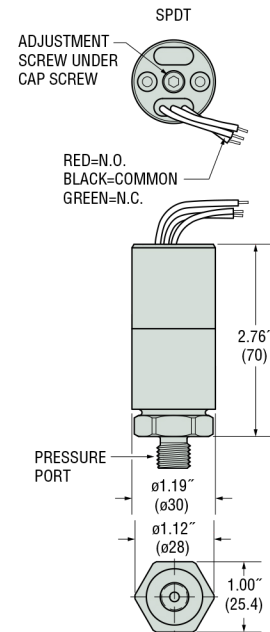


Dimensions

Right Angle DIN 43650A with Cable Clamp

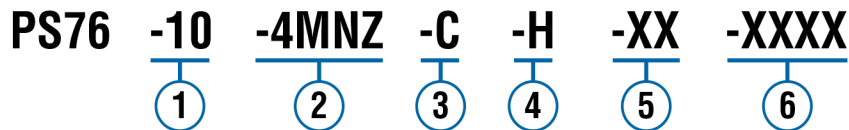


Flying Lead



How To Order

Use the **Bold** characters from the chart below to construct a product code. Please reference Notes.



1 Pressure Range Code

Insert Pressure Range Code from Table 1, below.

2 Pressure Fitting¹

12L14 Zinc-Plated Steel

- 2MNZ = 1/8" NPTM
- 4MNZ = 1/4" NPTM
- 4FNZ = 1/4" NPTF
- 4MGZ = 1/4" BSPM (G type)
- 4FGZ = 1/4" BSPF (G type)
- 4MSZ = 7/16"-20 SAE Male
- 6MSZ = 9/16"-18 SAE Male
- 4SSZ = 7/16"-20 SAE Male Swivel

316L Stainless Steel

- 4MNS = 1/4" NPTM
- 4MGS = 1/4" BSPM (G type)
- 4FGS = 1/4" BSPF (G type)
- 6MSS = 9/16"-18 SAE Male

3 Circuit

- A = SPST/N.O.
- B = SPST/N.C.
- C = SPDT

4 Electrical Termination

- FLXX = Flying Leads²
- FLSXX = Flying Leads w/PVC Shrink Tubing²
- ELXX = 1/2" NPT Male Conduit w/Flying Leads³
- H = DIN 43650A Male Half Only⁴
- HR = Right Angle DIN 43650A Male Half Only⁴
- HC = DIN 43650A 9mm Cable Clamp⁴
- HCR = Right Angle DIN 43650A 9mm Cable Clamp⁴
- HN = DIN 43650A with 1/2" Female NPT Conduit⁴
- HNR = Right Angle DIN 43650A with 1/2" Female NPT Conduit⁴

5 Options

- G = Gold Contacts
(for loads less than 12 mA @ 12 VDC)
- RD = Reduced Differential
(25% reduction typical)
- OF = Oil Free Cleaned⁵
- R = Restrictor (low damping coefficient) Brass
- SR = Spiral Restrictor (high damping coefficient)
300 Series Stainless Steel⁶
- WF = Weather Pack Connector, Female
- WM = Weather Pack Connector, Male
- DE = Deutsch Connector, Male, DT04 Series

6 Fixed Set Point (optional)

- A. Specify set point **-FS**
(in PSI or BAR, see example)⁷
- B. Set Point Actuation
R on Rising Pressure
F on Falling Pressure
Example: **-FS1BARF** for 1 BAR Falling
or **-FS20PSIR** for 20 PSI Rising

Notes:

1. Manifold mounts available. Consult factory.
2. 18" is standard. Specify lead length in inches (max. 48"). e.g. **-FL18** or **-FL30**.
3. 18" is standard. Specify lead length in inches (max. 48"). e.g. **-EL18** or **-EL30**.
4. DIN connectors require **-C** SPDT circuit.
5. Requires stainless steel pressure fitting.
6. **-SR** will result in wider deadbands and slower response times.
7. Set Point must be within Pressure Range selected in Step 1.

Table 1 — Pressure Range Codes

For Circuit Codes -A, -B and -C

Pressure Range Code	Pressure Range	Accuracy*	Average Deadband**
10	15-75 psi (1.0-5.2 bar)	±2.5 psi (0.17 bar) +3% of setting	5 psig (0.34 bar) +11% of setting
20	50-150 psi (3.5-10.3 bar)	±6 psi (0.41 bar) +3% of setting	15 psig (1.03 bar) +14% of setting
30	150-650 psi (10.3-44.8 bar)	±15 psi (1.03 bar) +3% of setting	25 psi (1.72 bar) +15% of setting
40	500-1750 psi (34.5-121 bar)	±25 psi (1.72 bar) +3% of setting	55 psi (3.79 bar) +16% of setting

* Accuracy and set point of units may change due to the effects of temperature.

** In certain applications deadband can be tailored and controlled to customer specifications. Consult factory for details.